

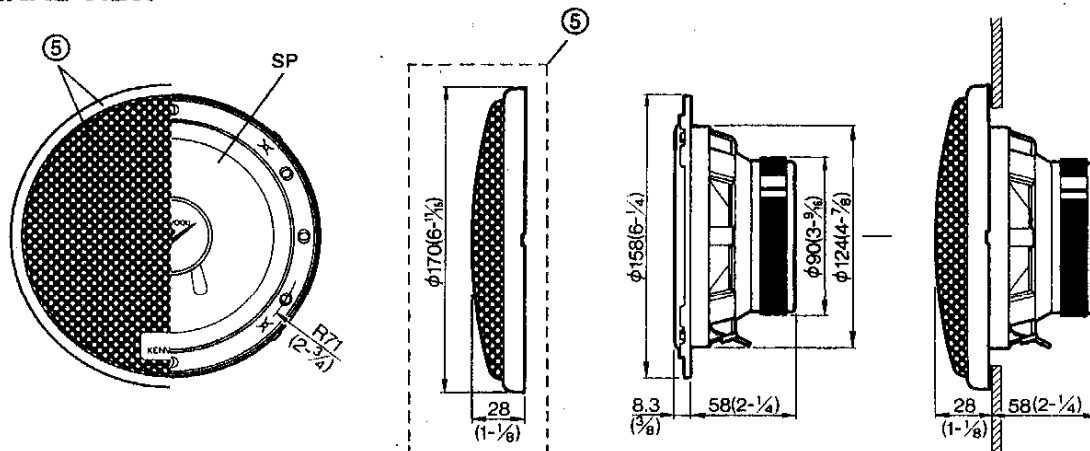
# KFC-W1600

## SERVICE MANUAL

# KENWOOD

© 1993-11 PRINTED IN JAPAN  
B51-6653-00 (4) 1722

### EXTERNAL VIEW



UNIT : mm (inch)

### PARTS LIST

\* New Parts





Parts without Parts No. are not supplid.

Les articles non mentionnes dans le Parts No. ne sont pas fournis.

Teile ohne Parts No. werden nicht geliefert.

Ref No.	New Parts	Parts No.	Description
①, ②	*	N99-1258-08	SCREW SET
③	*	J19-3962-08	GASKET
④		B43-0867-08	BADGE
⑤		B06-0439-08	GRILLE ASSY
SP	*	T10-0619-08	SPEAKER

### PARTS INCLUDED

- ①   $\phi 4 \times 30 (3/16 \times 1-3/16)$  ..... X 6
- ②  ..... X 6
- ③  ..... X 2
- ④  ..... X 2

### SPECIFICATIONS

Speaker ..... 160mm (6in) Injection P.P. Cone Type  
 330g (11.6oz) Magnet  
 Peak Power ..... 150 Watts  
 Sensitivity ..... 90dB/W at 1m  
 Frequency Response ..... 30Hz ~ 7,000Hz  
 Impedance ..... 4 Ohms  
 Net Weight With Grille ..... 2.0kg (4.4lb) / Pair

KENWOOD follows a policy of continuous advancements in development. For this reason specification may be

### KENWOOD CORPORATION

Alive Mitake, 2-5, 1-chome Shibuya, Shibuya-ku, Tokyo 150, Japan  
**KENWOOD SERVICE CORPORATION**  
 P.O. BOX 22745, 2201 East Dominguez St., Long Beach, CA 90801-5745, U.S.A.  
**KENWOOD ELECTRONICS CANADA INC.**  
 6070 Kestrel Road, Mississauga, Ontario, Canada L5T 1S8  
**KENWOOD ELECTRONICS LATIN AMERICA S.A.**  
 P.O. BOX 55-2791, Piso 6 Plaza Chase, Ct. 47 y Aquilino de la Guardia, Panama, Republic de Panama  
**TRIO-KENWOOD U.K. LIMITED**  
 Kenwood House, Dwight Road, Watford, Herts, WD1 8EB, United Kingdom  
**KENWOOD ELECTRONICS BENELUX N.V.**  
 Machelsestraatweg 418 B-1930 Zaventem, Belgium  
**KENWOOD ELECTRONICS DEUTSCHLAND GMBH**  
 Rembrücker Str. 15, 83160 Hausenatamm, Germany  
**TRIO-KENWOOD FRANCE S.A.**  
 13 Boulevard Ney, 75018 Paris, France  
**KENWOOD ELECTRONICS ITALIA S.p.A.**  
 Via G. Sirtori, 7/9 20129 Milano, Italy  
**KENWOOD ESPAÑA S.A.**  
 Bolivia, 239-08020 Barcelona, Spain  
**KENWOOD ELECTRONICS AUSTRALIA PTY. LTD.** (A C N 001 499 074)  
 PO BOX 504, 8 Figtree Drive, Australia Centre, Hornbush N.S.W. 2140, Australia  
**KENWOOD & LEE ELECTRONICS, LTD.**  
 Unit 3712-3724, Level 37 Tower 1, Metroplaza, 223 Hing Fong Road, Kwei Fong N.T. Hong Kong  
**KENWOOD ELECTRONICS SINGAPORE PTE LTD.**  
 No. 3 Genting Lane # 07-00, Singapore, 1334